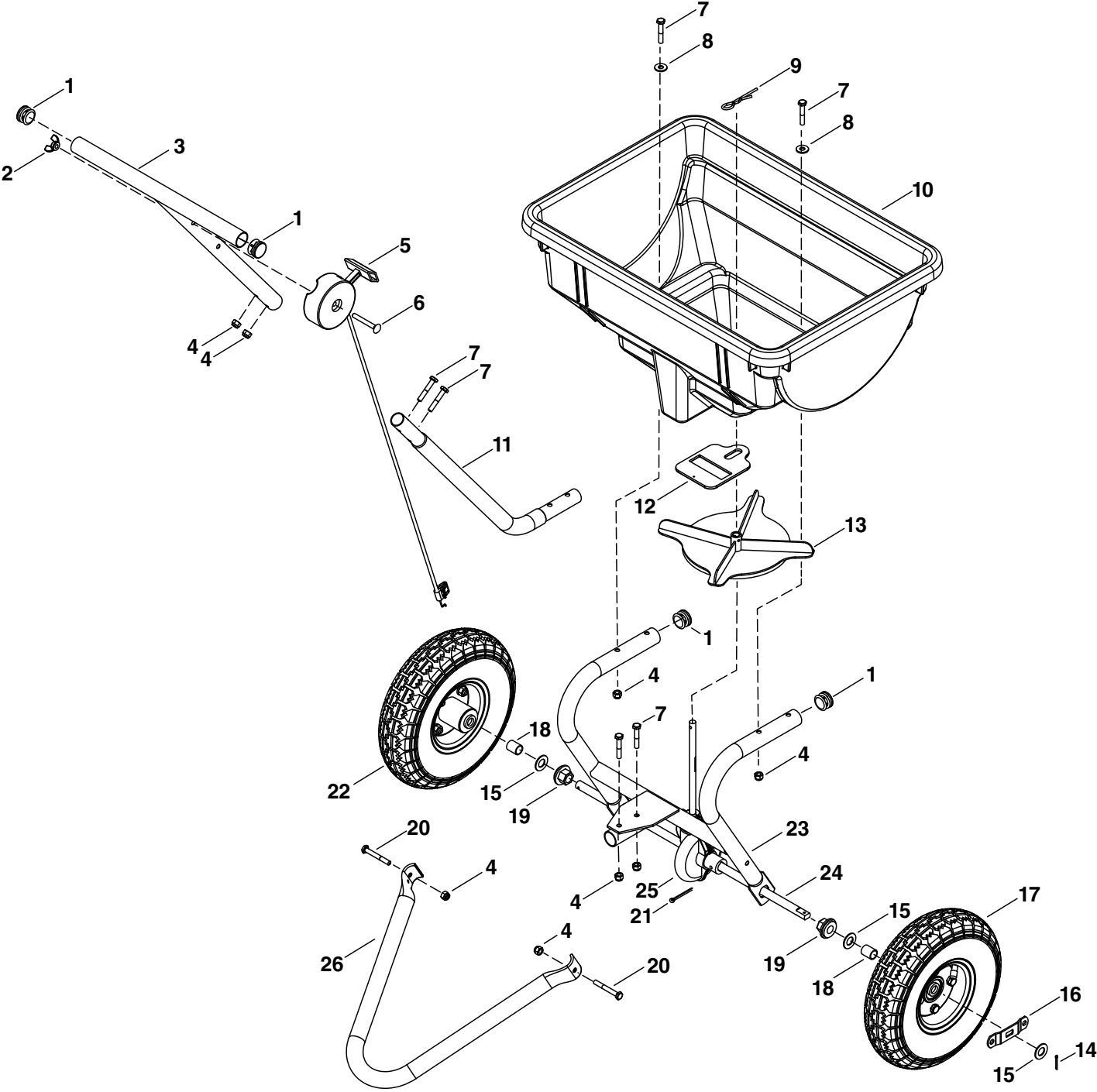


45-05311



45-05311

REF	QTY	PART NO	DESCRIPTION	REF	QTY	PART NO	DESCRIPTION
1	4	49449	1" Plug	15	4	R19171616	Large Washer
2	1	47141	1/4" Nylon Wing Nut	16	1	24116	Drive Wheel Plate
3	1	69009	Handle	17	1	48865	Drive Wheel
4	8	47189	1/4" Nylock Hex Nut	18	2	45705	Spacer
5	1	45360	Control Cable	19	2	47963	Flange Bearing
6	1	45165	Carriage Bolt	20	2	46699	1/4 X 2" Hex Bolt
7	6	43648	1/4 X 1-1/2" Hex Bolt	21	1	43501	9/64" Cotter Pin
8	2	43088	Small Washer	22	1	46503	Wheel
9	1	48934	Hairpin Agitator	23	1	68491	Frame Assembly
10	1	47994BLK	Hopper	24	1	28379	1/2" Axle
11	1	28464	Lower Handle Tube	25	1	69209	Gearbox Assembly
12	1	45505	Flow Slide	26	1	28463	Stand Tube
13	1	45504	Impeller		1	45725	Owner's Manual
14	2	44101	3/32" Cotter Pin				

THANK YOU FOR YOUR PURCHASE!

Without your product review, we don't exist.

If you are happy with our quality products & service,
please take just a moment to leave positive feedback and
a short review of our product on our website or your retailer's website.

Not totally satisfied?

If you have any issues, don't hesitate to contact us.
We make mistakes sometimes, but please give us the chance
to make it right before leaving negative feedback against our product.

Customer Care
M-F 7:00 a.m. - 5:00 p.m. CST
800-448-9282
www.agri-fab.com

